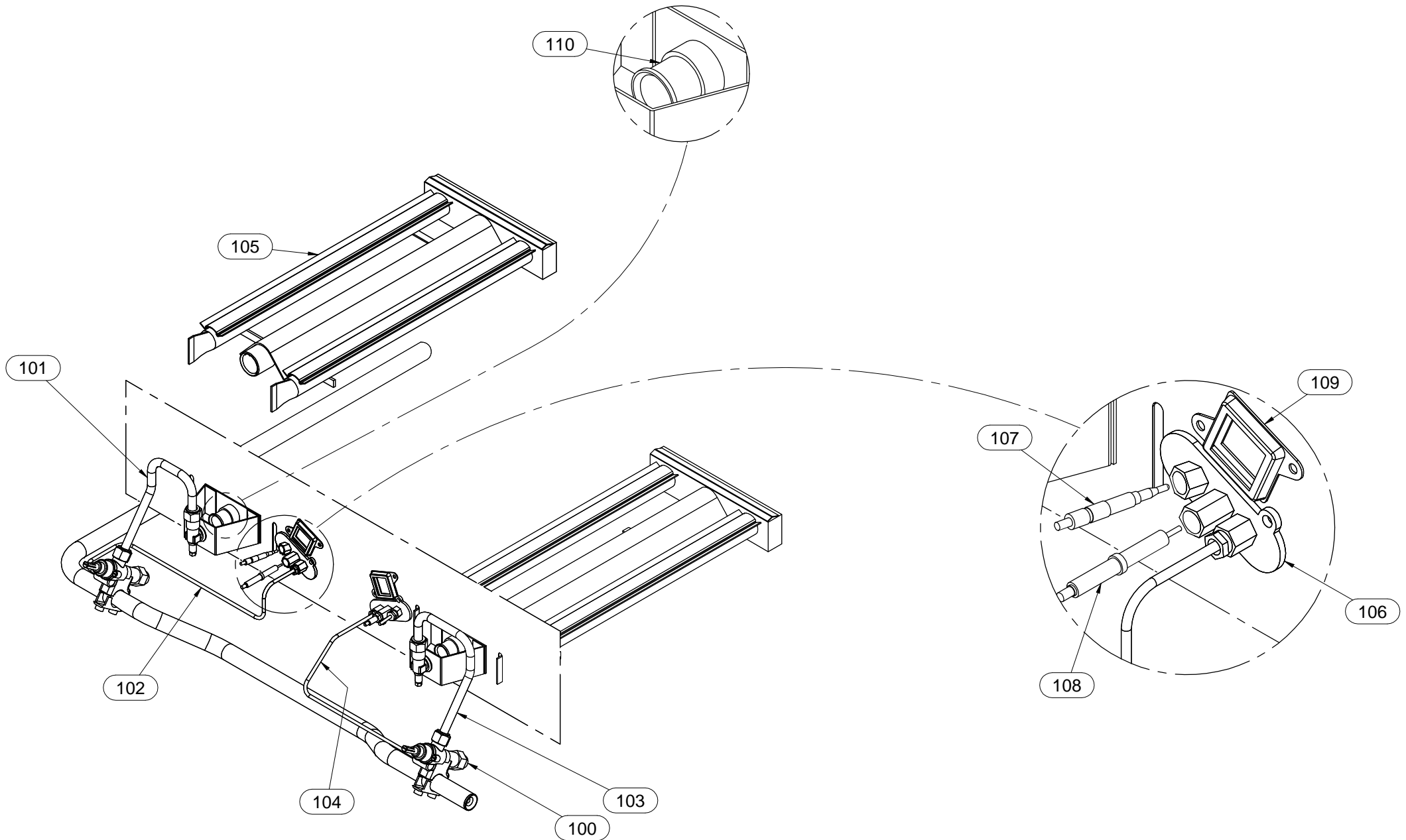


Mod./Type: **_70/... GRL... - _90/... GRL...**

EXTREME

cod./num. 2531641.00

data/date: 10/05/2014



Mod./Type: **_70 - _90 .../40 ... - .../80 ... - .../120 ...**

cod./num. 2531768.00

VANO / CABINET - ...B - ...BE - ...BH2

data/date: 03/11/2014

