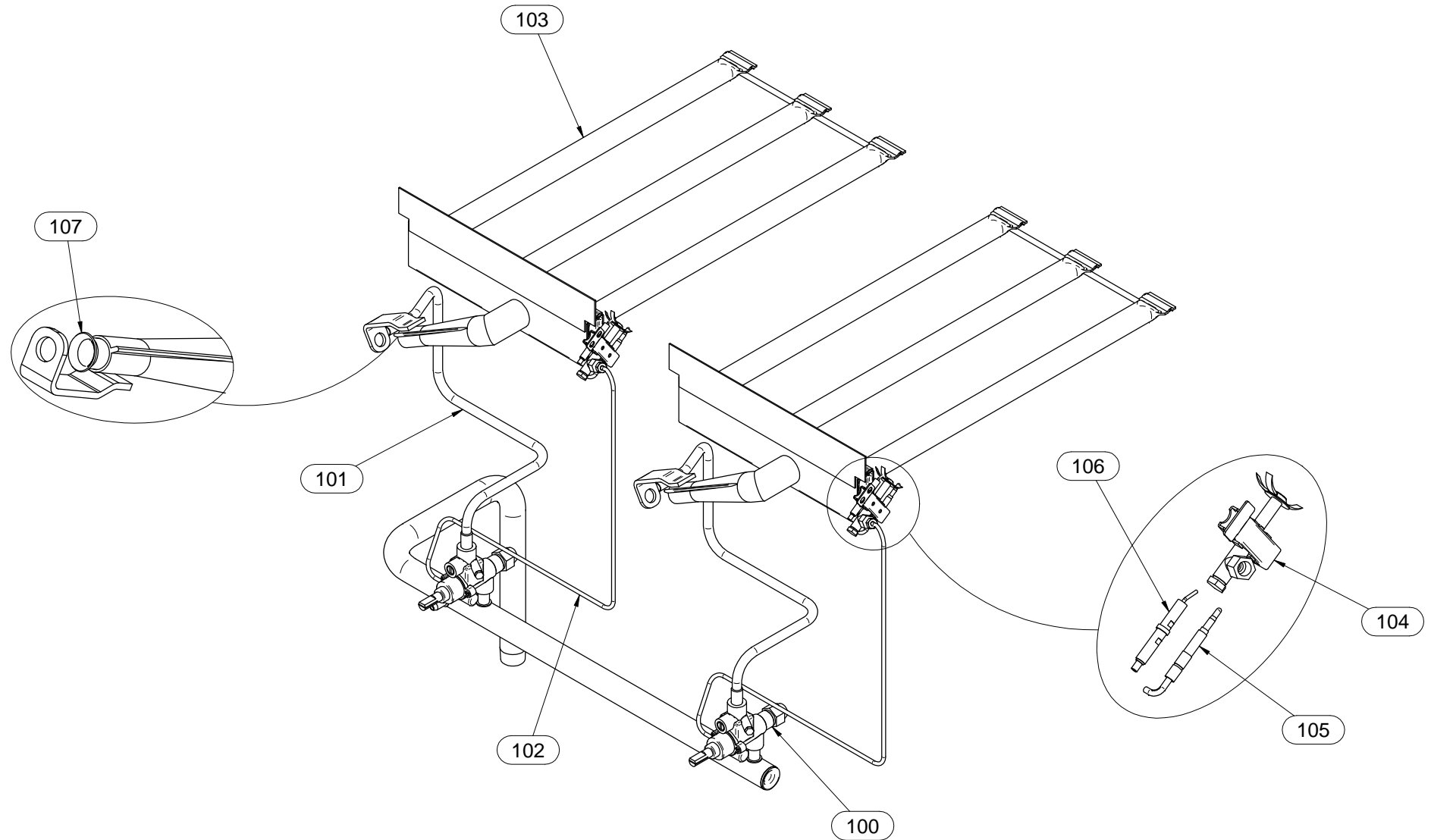


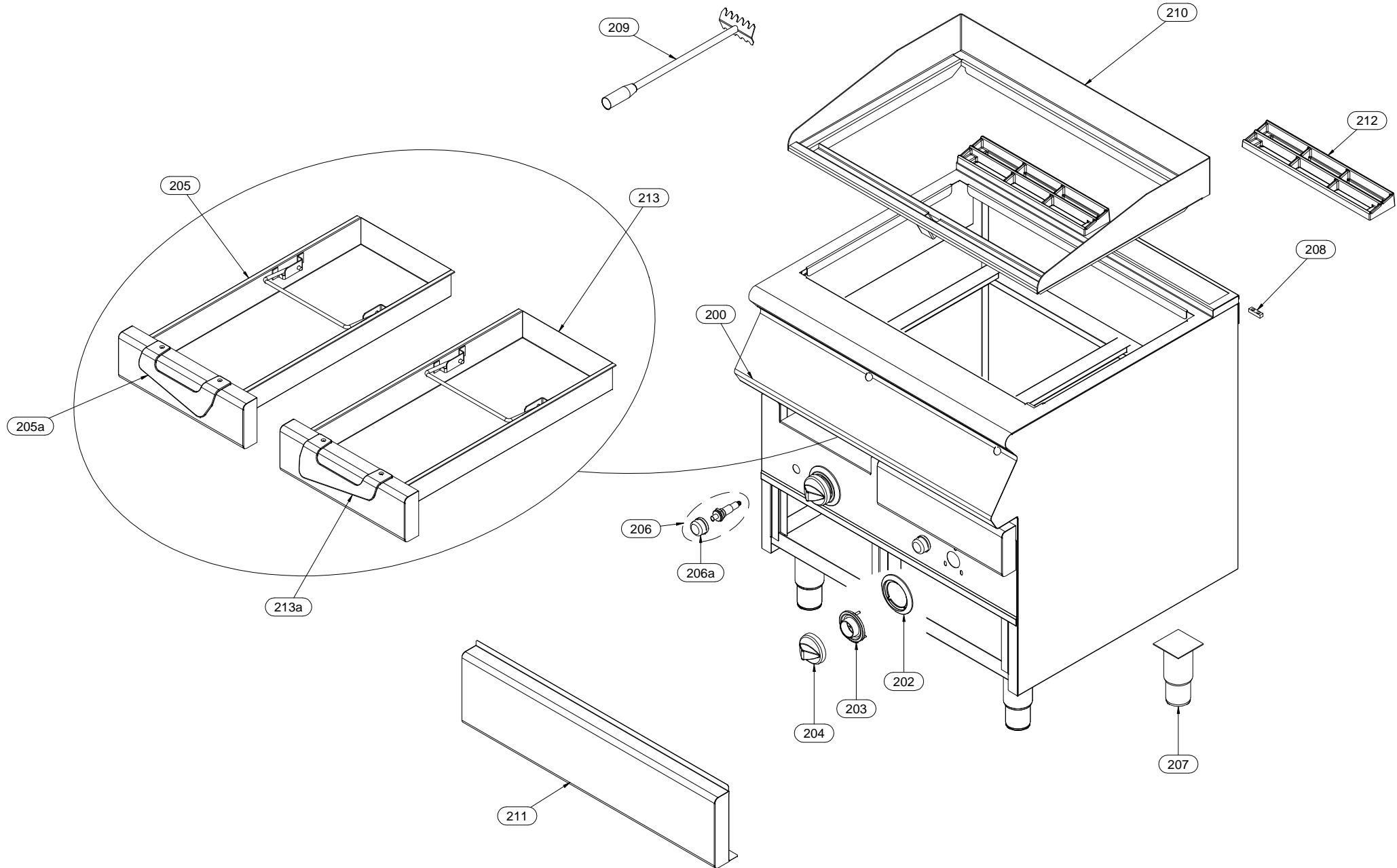
Mod./Type: **_70/... GRACQG - _90/... GRACQG**

cod./num. 2531695.00

EXTREME

data/date: 18/06/2014





| Mod.: | _70/... GRACQG | | | cod. / num. 2532020.00 | | V570/40 GRACQG | V570/80 GRACQG | NOTE |
|-------|---------------------|------------------|-------------------------------|------------------------|--------------|----------------|----------------|------|
| | | | | data / date 20/01/2015 | | | | |
| | | | | rif. / ref. 2532019.00 | | | | |
| POS. | DESCRIZIONE | DESCRIPTION | DENOMINATION | BENENNUNG | COD. | Q.ty | | |
| 200 | CRUSCOTTO | CONTROL PANEL | BANDEAU | BEDIENBLLENDE | 6111620.00 | 1 | | |
| | | | | | 6111621.00 | | 1 | |
| 201 | | | | | | | | |
| 202 | SERIGRAFIA | SCREEN PRINT | SÉRIGRAPHIE | SIEBDRUCK | 910.163.00 | 1 | 2 | |
| 203 | LABIRINTO | LABYRINTH | LABYRINTHE | LABYRINTH | 256.218.00 | 1 | 2 | |
| 204 | MANOPOLA | KNOB | BOUTON | DREHKNOPF | 951.061.00 * | 1 | 2 | |
| 205 | CASSETTO | DRAWER | TIROIR | SCHUBLADE | 610.769.00 | - | 1 | |
| 205a | MANIGLIA | HANDLE | POIGNÉE | HANDGRIFF | 9211712.00 | - | 1 | |
| 206 | ASSIEME PIEZO | PIEZO ASSEMBLY | ENSEMBLE PIÉZO | PIEZO-GRUPPE | 912.091.00 * | 1 | 2 | |
| 206a | CAPPUCCIO | CAP | CAPUCHON | KAPPE | 951.047.00 * | 1 | 2 | |
| 207 | PIEDINO | FOOT | PIED | STELLFUSS | 912.090.14 * | 4 | 4 | |
| 208 | PIASTRINA GIUNZIONE | FIXING PLATE | PLAQUETTE FIXAGE | BEFESTIGUNGSPLATTE | 941.130.00 | 1 | 1 | |
| 209 | RASCHIETTO | SCRAPER | RACLETTE | SCHABER | 610.272.00 | 1 | 1 | |
| 210 | PARASPRUZZI | SPLASH GUARD | PROTECCION ANTI-ÉCLABOUSSURES | SPRITZSCHUTZ | 6111276.00 | 1 | | |
| | | | | | 6111277.00 | | 1 | |
| 211 | FACCIATA INFERIORE | FRONT LOWER PART | PARTIE FRONTALE INFÉRIEUR | UNTERE SEITE | 6211544.00 | 1 | | |
| | | | | | 6211549.00 | | 1 | |
| 212 | GRIGLIA CAMINO | FLUE GRIDDLE | GRILLE POUR CHEMINÉE | KAMINROST | 982.024.00 | 1 | 2 | |
| 213 | CASSETTO | DRAWER | TIROIR | SCHUBLADE | 610.768.00 | 1 | 1 | |
| 213a | MANIGLIA | HANDLE | POIGNÉE | HANDGRIFF | 9211711.00 | 1 | 1 | |
| 214 | | | | | | | | |
| 215 | | | | | | | | |
| 216 | | | | | | | | |
| 217 | | | | | | | | |
| 218 | | | | | | | | |
| 219 | | | | | | | | |
| 220 | | | | | | | | |
| 221 | | | | | | | | |
| 222 | | | | | | | | |
| 223 | | | | | | | | |
| 224 | | | | | | | | |
| 225 | | | | | | | | |
| 226 | | | | | | | | |
| 227 | | | | | | | | |
| 228 | | | | | | | | |