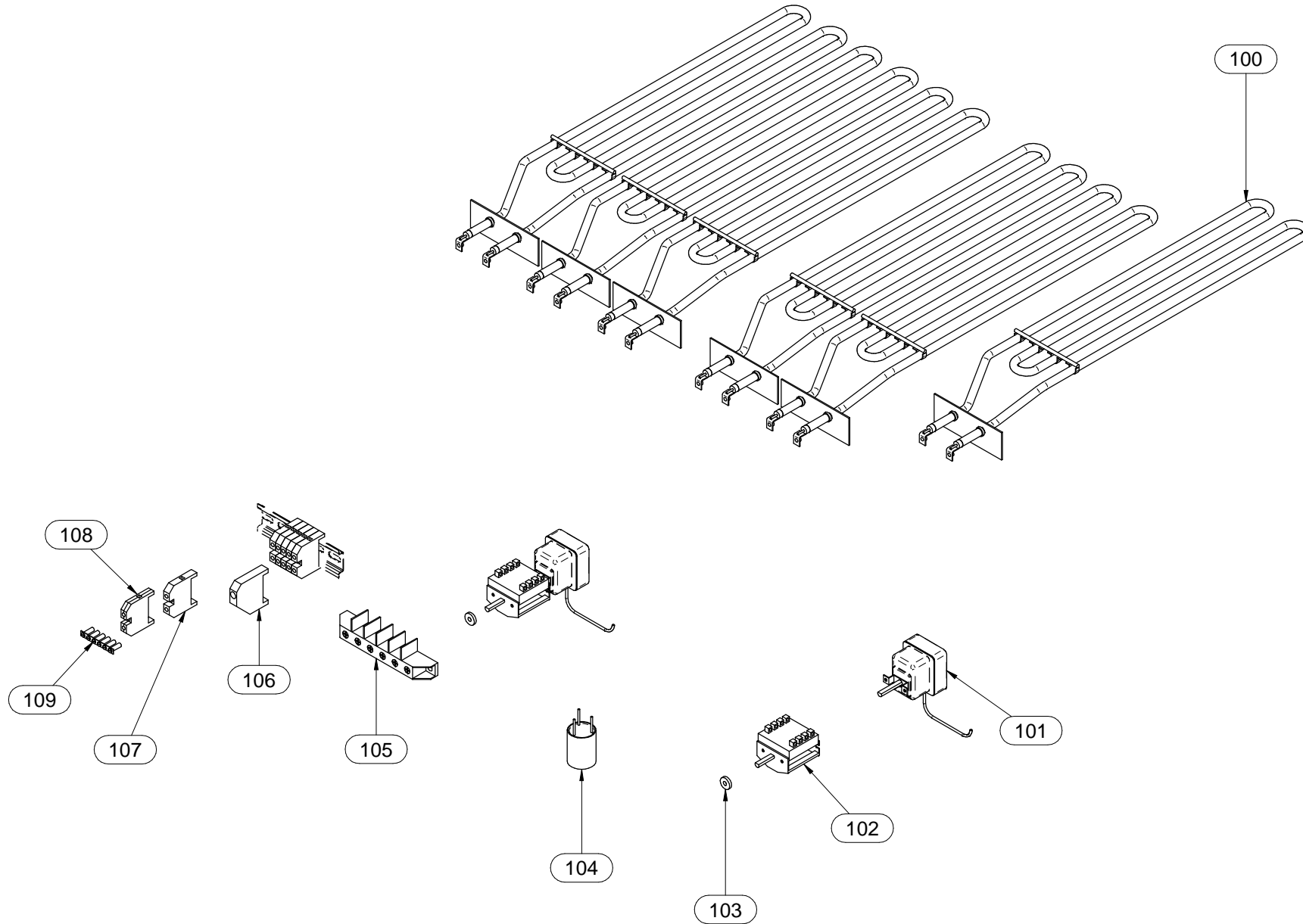


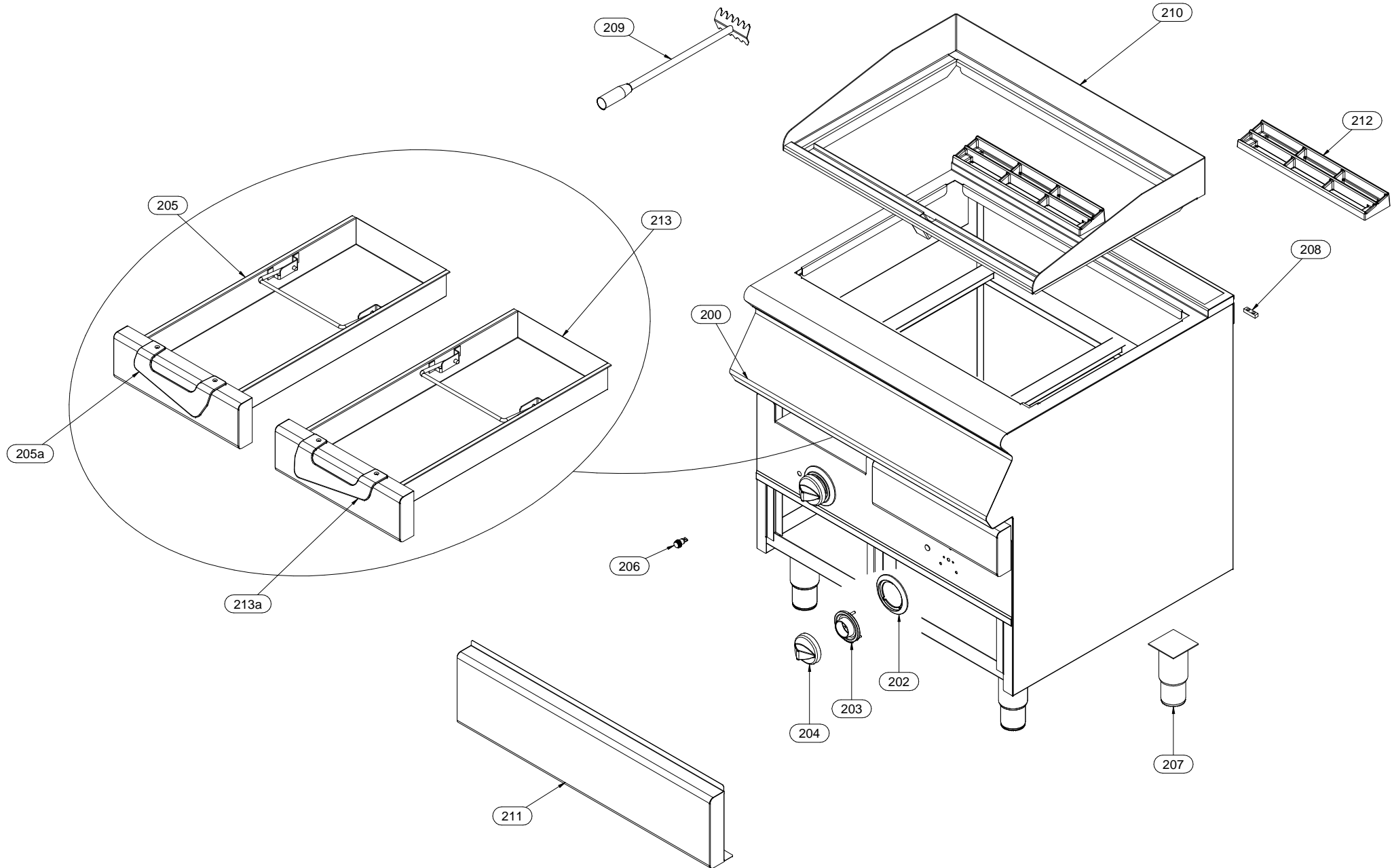
Mod./Type: **_70/... GRACQE... - _90/... GRACQE...**

cod./num. 2531835.00

EXTREME

data/date: 02/09/2014





Mod.:	_70/... GRACQE...			cod. / num. 2532022.00		V570/40 GRACQE...	V570/80 GRACQE...	NOTE
				data / date 20/01/2015				
				rif. / ref. 2532021.00				
POS.	DESCRIZIONE	DESCRIPTION	DENOMINATION	BENENNUNG	COD.	Q.ty		
200	CRUSCOTTO	CONTROL PANEL	BANDEAU	BEDIENBLLENDE	9111548.00	1		
					9111549.00		1	
201								
202	SERIGRAFIA	SCREEN PRINT	SÉRIGRAPHIE	SIEBDRUCK	910.230.00	1	2	
203	LABIRINTO	LABYRINTH	LABYRINTHE	LABYRINTH	256.218.00	1	2	
204	MANOPOLA	KNOB	BOUTON	DREHKNOPF	951.059.00 *	1	2	
205	CASSETTO	DRAWER	TIROIR	SCHUBLADE	610.769.00	-	1	
205a	MANIGLIA	HANDLE	POIGNÉE	HANDGRIFF	9211712.00	-	1	
206	LAMPADA SPIA ARANCIO	ORANGE INDICATOR LIGHT	LAMPE TEMOIN ORANGE	ORANGE KONTROLLAMPE	963.013.00 *	1	2	
207	PIEDINO	FOOT	PIED	STELLFUSS	912.090.14 *	4	4	
208	PIASTRINA GIUNZIONE	FIXING PLATE	PLAQUETTE FIXAGE	BEFESTIGUNGSPLATTE	941.130.00	1	1	
209	RASCHIETTO	SCRAPER	RACLETTE	SCHABER	610.272.00	1	1	
210	PARASPRUZZI	SPLASH GUARD	PROTECCION ANTI-ÉCLABOUSSURES	SPRITZSCHUTZ	6111276.00	1		
					6111277.00		1	
211	FACCIATA INFERIORE	FRONT LOWER PART	PARTIE FRONTALE INFÉRIEUR	UNTERE SEITE	6211544.00	1		
					6211549.00		1	
212	GRIGLIA CAMINO	FLUE GRIDDLE	GRILLE POUR CHEMINÉE	KAMINROST	982.024.00	1	2	
213	CASSETTO	DRAWER	TIROIR	SCHUBLADE	610.768.00	1	1	
213a	MANIGLIA	HANDLE	POIGNÉE	HANDGRIFF	9211711.00	1	1	
214								
215								
216								
217								
218								
219								
220								
221								
222								
223								
224								
225								
226								
227								
228								
229								